

ATC HP 0603 Series High Performance NPO Ceramic MLCs

Electrical Characteristics:

Capacitance Range: 1.0 pF to 120 pF @ 1 MHz

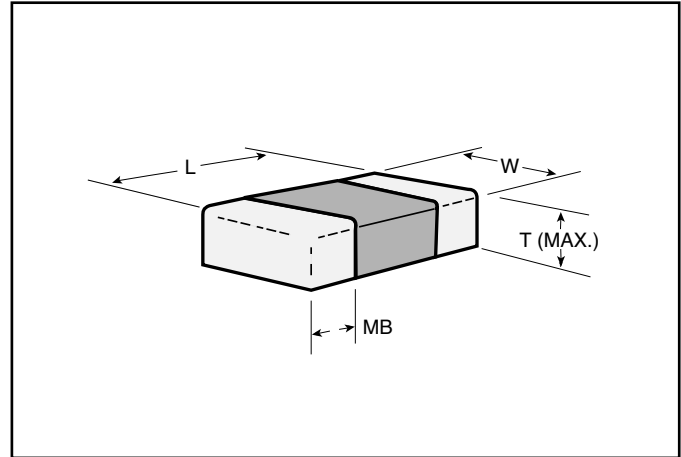
Temperature Coefficient of Capacitance: 0 ± 30 ppm/°C (-55° to +125°C)

Insulation Resistance (IR) $10^{12} \Omega$ min. @ 25°C and rated WVDC
 $10^{11} \Omega$ min. @ 125°C and rated WVDC

Dielectric Working Voltage (DWW): 250% of rated WVDC

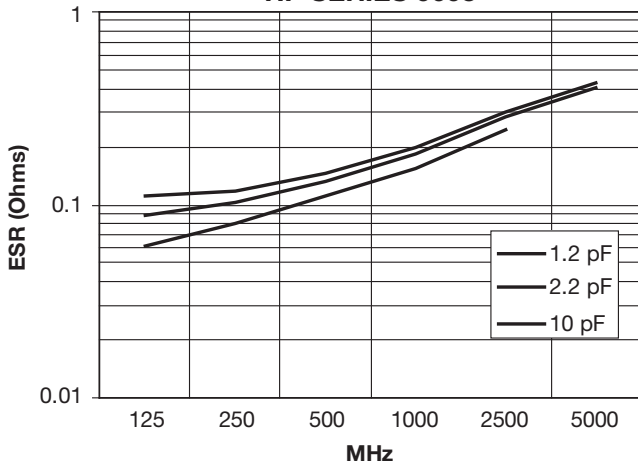
Working Voltage (WVDC) 250, 100, 50 WVDC

ATC offers the new HP Series high performance family of MLC ceramic capacitors. Built in a rugged ceramic SMT package, these products deliver high performance at the right price. The HP series is available in four popular EIA case sizes and is suitable for tuning, DC blocking, coupling and bypassing over the full range of wireless frequencies. All HP Series products are RoHS compliant.

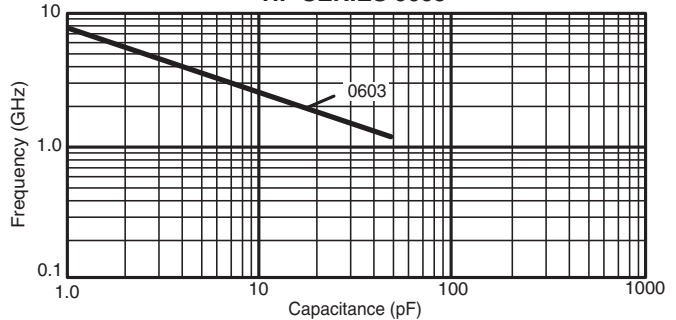


Case Size	0603
Length (L)	0.060 ±0.010 (1.52 ±0.25)
Width (W)	0.030 ±0.010 (0.76 ±0.25)
T Max.	0.036 (0.91)
Term. (MB) Max.	0.010 ±0.005 (0.25 ±0.13)

**TYPICAL ESR vs. FREQUENCY
HP SERIES 0603**



**TYPICAL SERIES RESONANT FREQUENCY
HP SERIES 0603**



A M E R I C A N T E C H N I C A L C E R A M I C S

ATC North America
sales@atceramics.com

ATC Europe
saleseur@atceramics.com

ATC Asia
sales@atceramics-asia.com

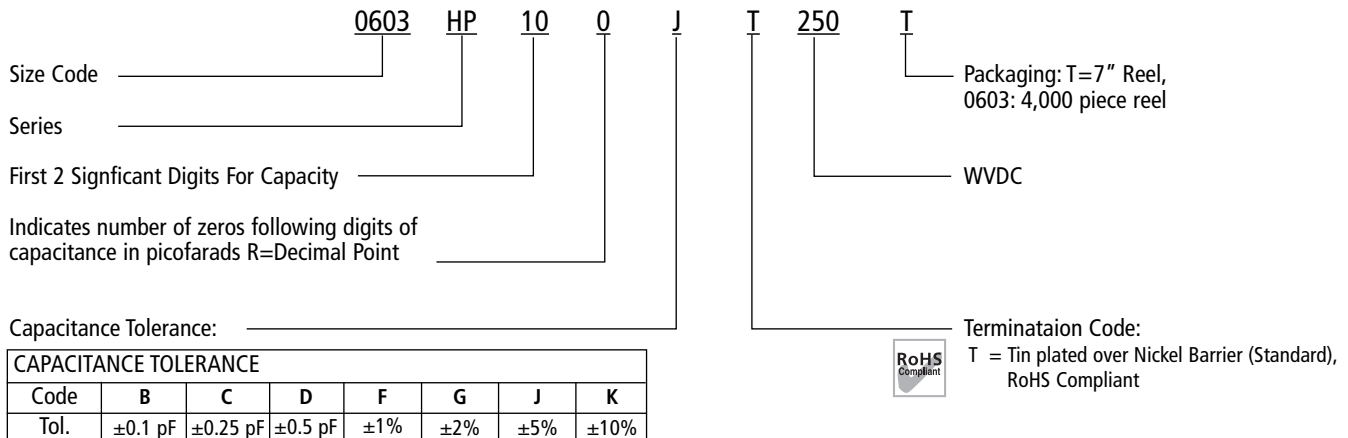
www.atceramics.com

ATC HP 0603 SERIES HIGH PERFORMANCE NPO CERAMIC MLCS

Capacitance Values:

CAP. CODE	CAP. (pF)	TOL.	RATED WVDC	CAP. CODE	CAP. (pF)	TOL.	RATED WVDC	CAP. CODE	CAP. (pF)	TOL.	RATED WVDC	CAP. CODE	CAP. (pF)	TOL.	RATED WVDC
1R0	1.0	B, C, D	250	2R7	2.7	B, C, D	250	9R1	9.1	B, C	250	360	36	F, G, J, K	250
1R1	1.1			3R0	3.0			100	10	390		39			
1R2	1.2			3R3	3.3			110	11	430		43			
1R3	1.3			3R6	3.6			120	12	470		47			
1R4	1.4			3R9	3.9			130	13	510		51			
1R5	1.5			4R3	4.3			150	15	560		56			
1R6	1.6			4R7	4.7			180	18	680		68			
1R7	1.7			5R1	5.1			200	20	750		75			
1R8	1.8			5R6	5.6			220	22	820		82			
1R9	1.9			6R2	6.2			240	24	910		91			
2R0	2.0			6R8	6.8			270	27	101		100			
2R1	2.1			7R5	7.5			300	30	111		110			
2R2	2.2			8R2	8.2			330	33	121		120			
2R4	2.4														

Part Number Code



The above part number refers to an ATC HP 0603 Series 10 pF capacitor, J tolerance (±5%), 250 WVDC, with T termination (Tin Plated over Nickel Barrier), on 7 inch reel.

For additional information and catalogs contact your ATC representative or call direct at (+1-631) 622-4700. Consult factory for additional performance data.

Sales of ATC products are subject to the terms and conditions contained in American Technical Ceramics Corp. Terms and Conditions of Sale(ATC document #001-992 Rev. B 12/05). Copies of these terms and conditions will be provided upon request. They may also be viewed on ATC's website at www.atceramics.com/productfinder/default.asp. Click on the link for Terms and Conditions of Sale.

ATC has made every effort to have this information as accurate as possible. However, no responsibility is assumed by ATC for its use, nor for any infringements of rights of third parties which may result from its use. ATC reserves the right to revise the content or modify its product without prior notice.

© 2011 American Technical Ceramics. All Rights Reserved.

Excerpt from ATC 001-1103 Rev. C; 7/12

A M E R I C A N T E C H N I C A L C E R A M I C S

ATC North America
sales@atceramics.com

ATC Europe
sales@atceramics.com

ATC Asia
sales@atceramics-asia.com

www.atceramics.com