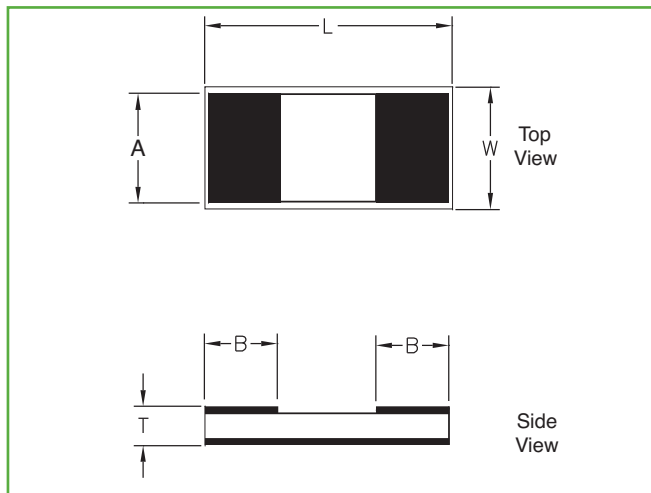


## Jumpers

### Specifications

- **Substrate Material:** Aluminum Nitride
- **Terminals:** Silver
- **Operating Temp Range:** -55 to +150°C
- **Lead-Free, RoHS Compliant**
- **Reliability:** MIL-PRF-55342

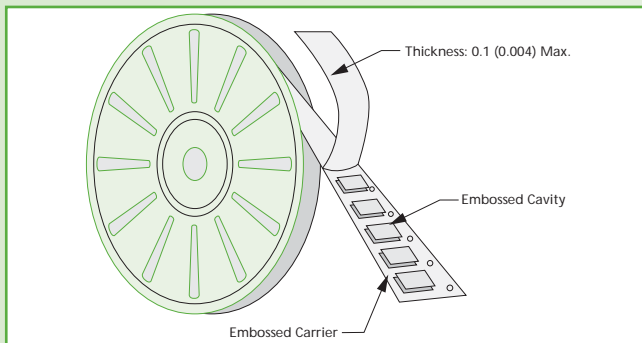


ATC Part Number	W ±.010	L ±.010	T ±.005	A ±.005	B (Typ.)
CR11206TxxxxJTU	.060	.120	.025	.055	.020
CR12010TxxxxJTU	.100	.200	.040	.090	.020
CR12525TxxxxJTU	.245	.245	.040	.130	.020
CR13725TxxxxJTU	.250	.375	.040	.198	.025
CR13737TxxxxJTU	.370	.370	.040	.330	.025

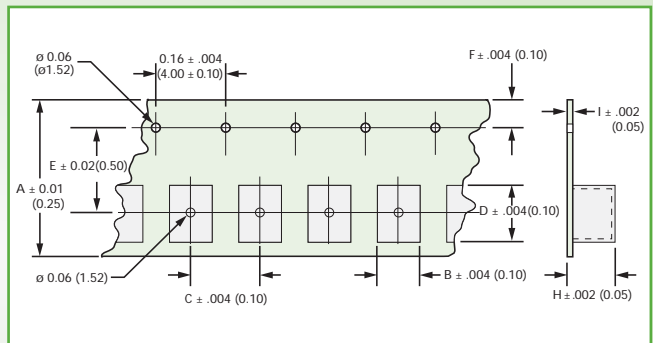
## Tape and Reel Specifications

All ATC Resistive Surface Mount and Chip Products are supplied in tape & reel (1000 chips per reel) and are ideal for automated pick and place manufacturing applications.

### Packaging



### Tape Dimensions



Chip Size	A Dim.	B Dim.	C Dim.	D Dim.	E Dim.	F Dim.	H Dim.	I Dim.	Pcs. / per reel
1206	0.32 (8.13)	0.08 (2.03)	0.16 (4.06)	0.14 (3.56)	0.14 (3.56)	0.07 (1.78)	0.03 (0.08)	0.01 (.254)	1000
2010	0.47 (11.9)	0.12 (3.05)	0.16 (4.06)	0.22 (5.59)	0.215 (5.46)	0.07 (1.78)	0.07 (1.78)	0.01 (.254)	1000
2525	0.47 (11.9)	0.28 (7.11)	0.32 (8.13)	0.28 (7.11)	0.215 (5.46)	0.07 (1.78)	0.07 (1.78)	0.01 (.254)	1000
3725	0.6 (15.2)	0.28 (7.11)	0.32 (8.13)	0.39 (9.91)	0.39 (9.91)	0.07 (1.78)	0.07 (1.78)	0.01 (.254)	1000*
3737	0.945 (24)	0.41 (10.4)	0.47 (11.9)	0.41 (10.4)	0.45 (11.4)	0.07 (1.78)	0.07 (1.78)	0.01 (.254)	1000*

Orientation – all input terminals face towards the sprocket holes of the tape.

\*500 pc. reels are available in these sizes.

Sales of ATC products are subject to the terms and conditions contained in American Technical Ceramics Corp. Terms and Conditions of Sale (ATC document #001-992 Rev. A 10/03). Copies of these terms and conditions will be provided upon request. They may also be viewed on ATC's website at [www.atceramics.com/productfinder/default.asp](http://www.atceramics.com/productfinder/default.asp). Click on the link for Terms and Conditions of Sale.

ATC has made every effort to have this information as accurate as possible. However, no responsibility is assumed by ATC for its use, nor for any infringements of rights of third parties which may result from its use. ATC reserves the right to revise the content or modify its product without prior notice.

© 2008 American Technical Ceramics Corp. All Rights Reserved.

ATC # 001-1056; Rev B, 2/10

A M E R I C A N T E C H N I C A L C E R A M I C S

ATC North America  
631-622-4700 • sales@atceramics.com

ATC Europe  
+46 8 6800410 • sales@atceramics-europe.com

ATC Asia  
+86-755-8366-4318 • sales@atceramics-asia.com

w w w . a t c e r a m i c s . c o m